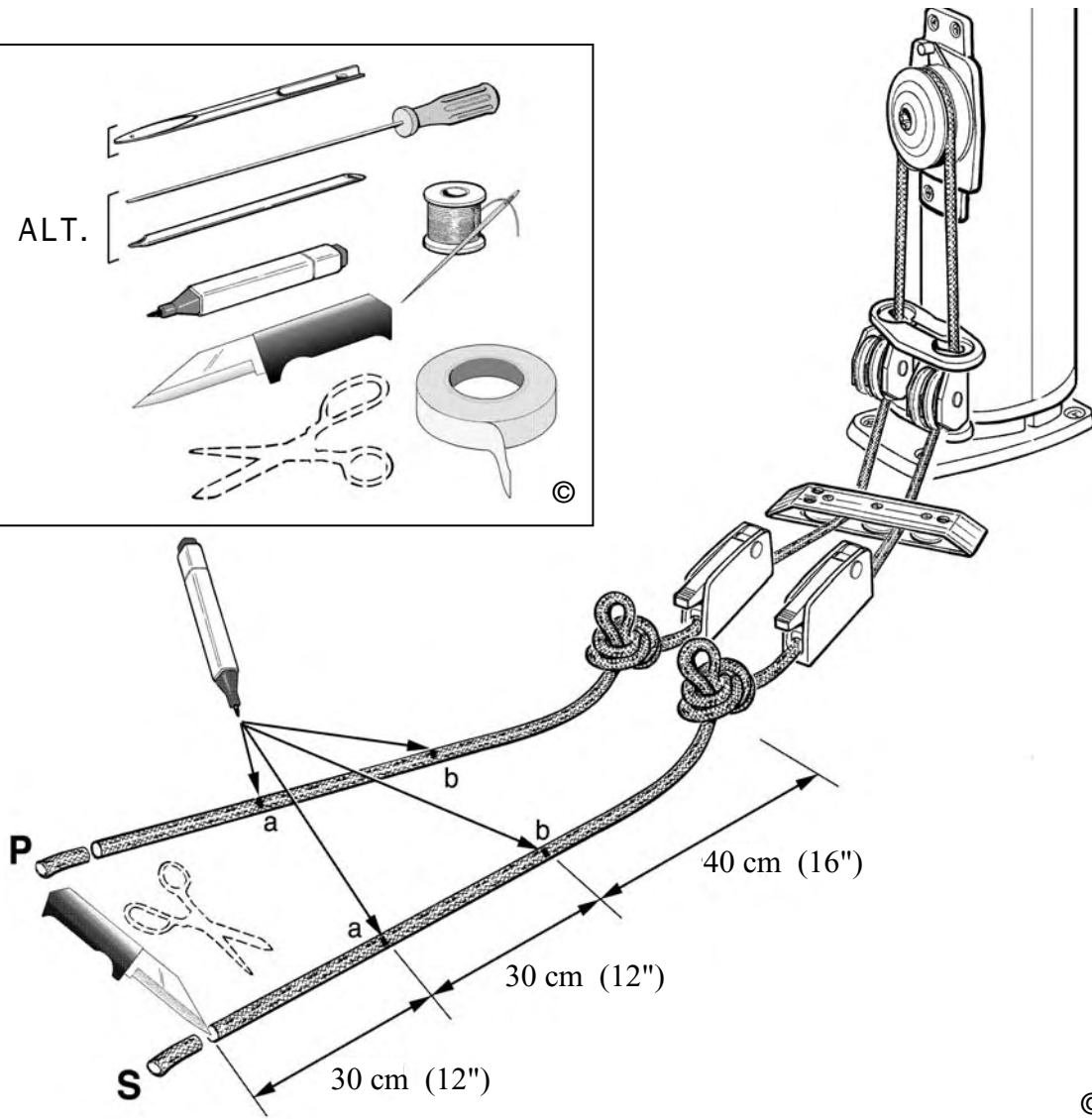
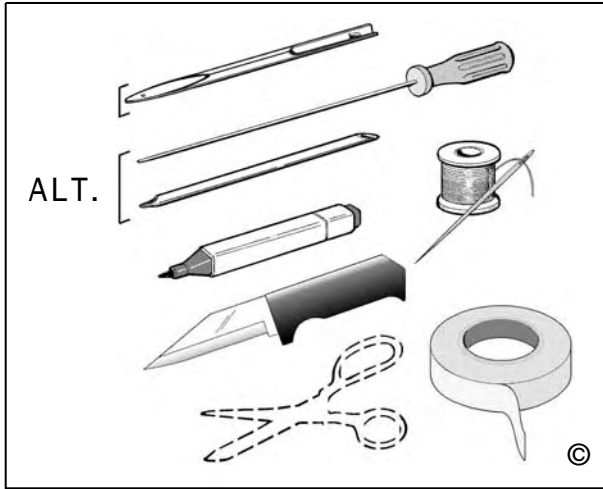
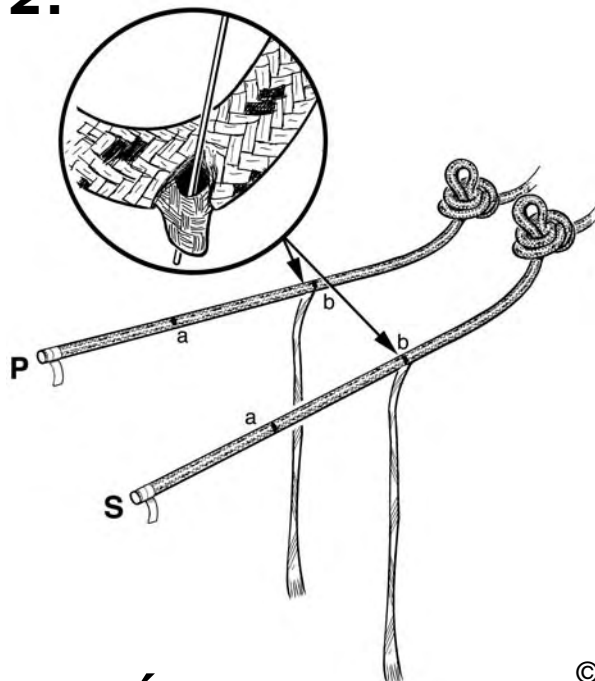


Splice, "endless" line

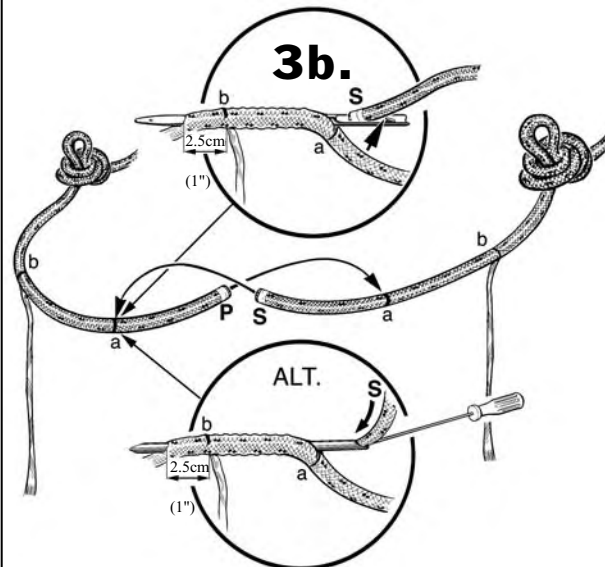
1.



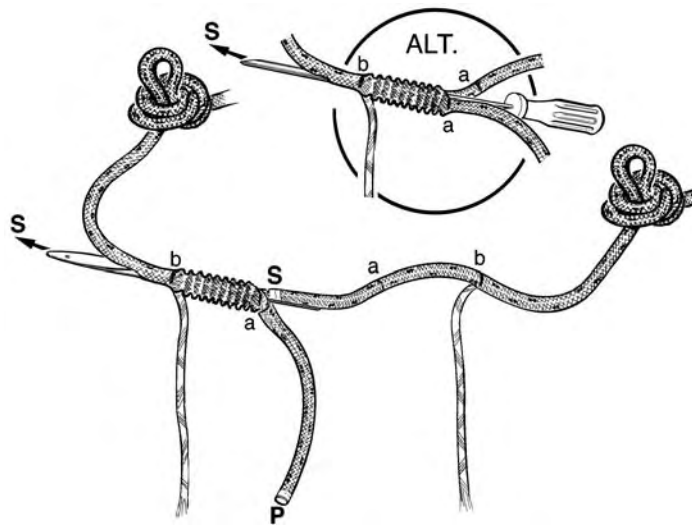
2.



3a.

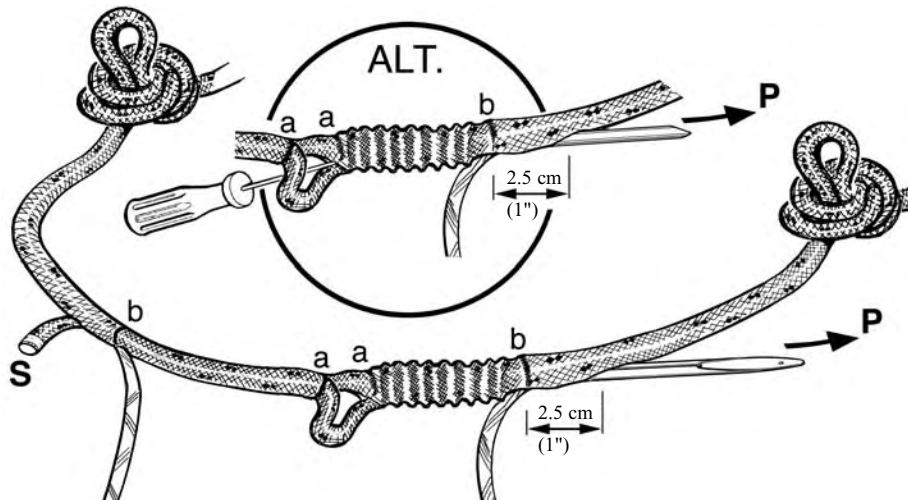


4.

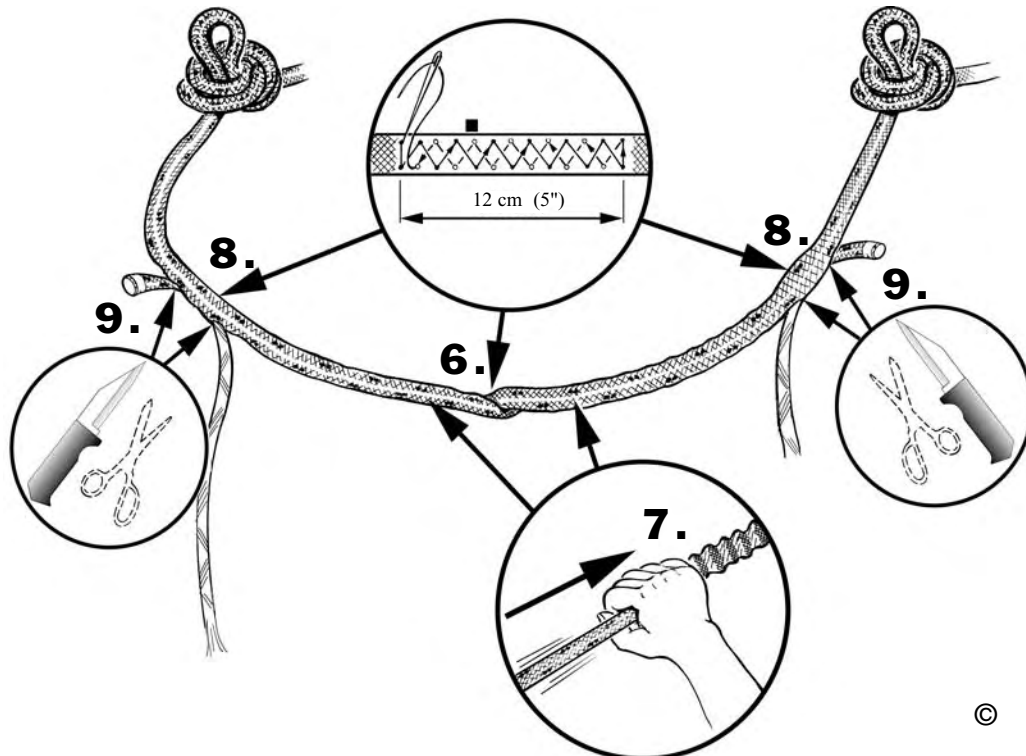


©

5.



©



©

 **SELDÉN**

www.seldenmast.com

USA: Seldén Mast Inc., Tel +1 843-760-6278, Fax +1 843-760-1220, e-mail info@seldenus.com